

ARYABHATTA RESEARCH INSTITUTE OF OBSERVATIONAL SCIENCES
(ARIES), MANORA PEAK, NAINITAL-263 129 (INDIA)
Phone (91-05942)233727, 233734,233735,232655, Fax No. (91-05942)233439, Gram: ASTRONOMY

No. : AO/ 3147 /3-11(3)/10-11

Dated: 17 Mar, 2011

Sir,

This office is in need of the following items/services, You are requested to send technical and Commercial bid in separate envelope and both should be put up in a another sealed envelope and clearly marked on the cover of envelope Technical bid, commercial bid , enquiry No. , date of opening. Sealed envelop should reach to ARIES latest by dated 25 Mar 2011 up to 2:00 P.M. Technical bid will be opened on same day at 3:30 P.M. and commercial bid will be opened on 29 Mar 2011.

Pre-Fab Hut ^{and a platform} with supply, erection and commissioning Set-01 as per attached specification

Other terms and conditions of the tender:

1. Specifications and make for each item should necessarily be mentioned as per specification.
2. Place of Delivery : ARIES, Manora Peak, Nainital-263129
3. Delivery Period : To be Mentioned
4. Validity period : 90 days from the date of opening of financial bid
5. All bidders can be present at the time of opening the tender. No. separate intimation shall be given in this regard.
6. The opening of the tenders shall only be attended by an authorized representative of the firm whose name, designation and address should be indicated in the offer of the firm. Tendering firm shall issue a letter of authority to such representative indicating the tender no. date due on for the item. In no case un-authorized person shall be allowed to enter tender opening room.
7. Payment : 100% payment will be released after successful installation and acceptance of item and submission of Performance Bank guarantee of 10% of the total amount (including taxes)valid for two months beyond warranty period or else 10% of the amount will be released after two months beyond warranty period.

See W
[Signature]

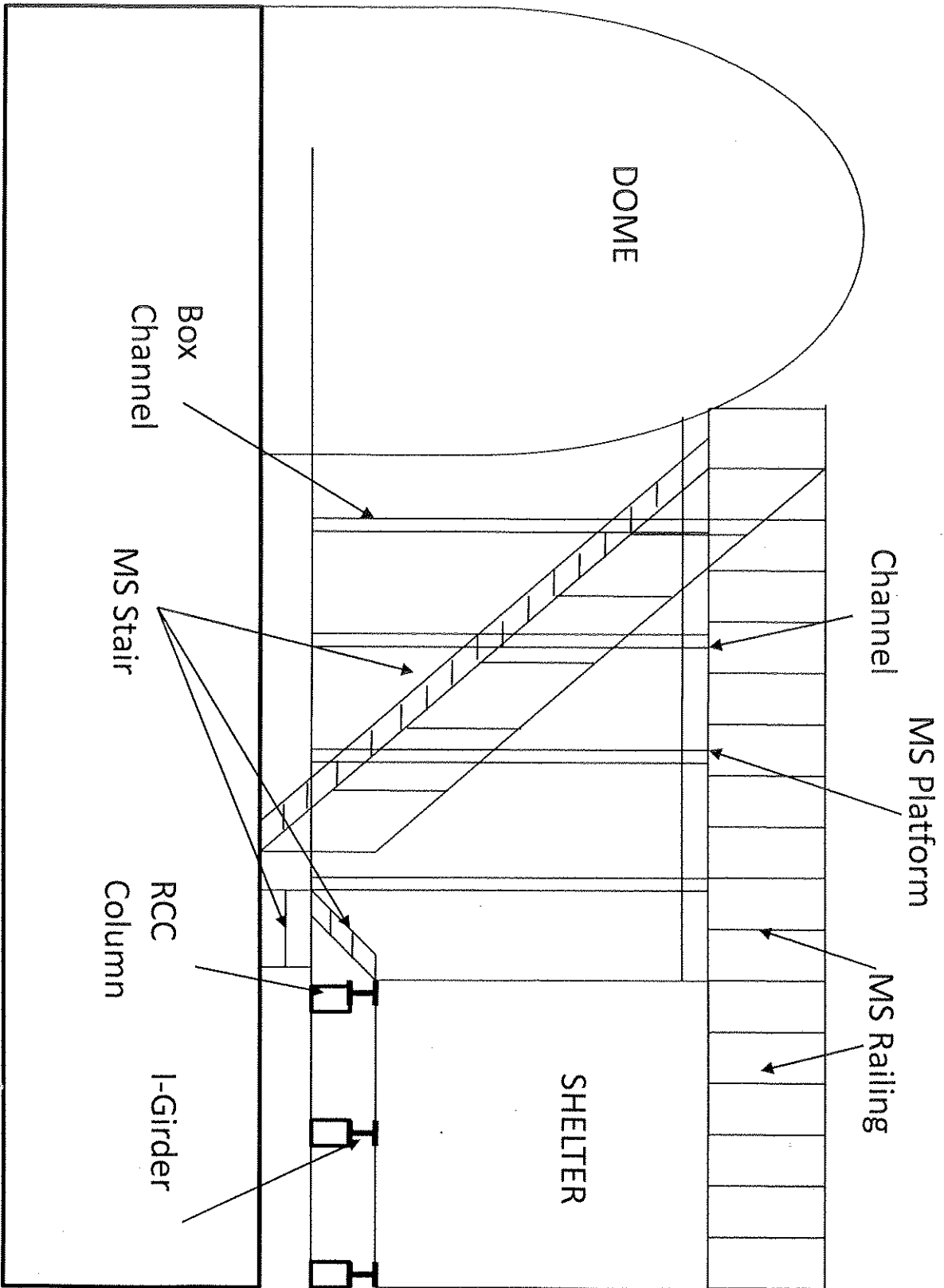
o/c

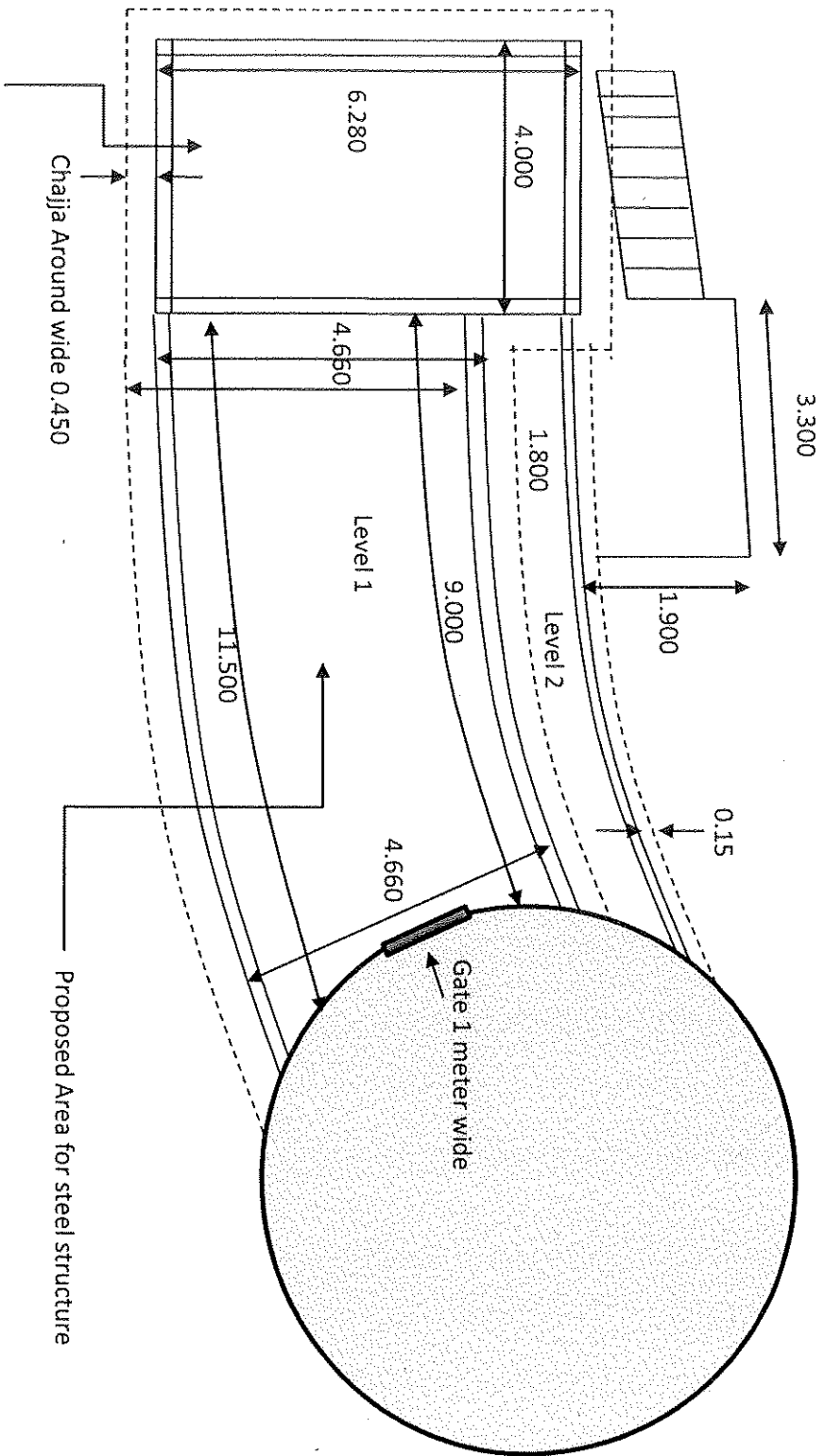
8. Warranty period: The supplier will guarantee (3/3/3 guarantee) all the components for a period of three year from the date of installation & Commissioning.
9. Insurance : Transit insurance covering all risk for all the items is to be arranged by the renderer/supplier.
10. Special Cause : Any tender can be rejected by the order of the Director, ARIES, Nainital without assigning any reason whatsoever.
11. Prices should be quoted on F.O.R. ARIES, Manora Peak, Nainital basis only.
12. Packing & Forwarding charges, Bank Charges, Insurance and Freight Charges should be mentioned clearly and separately in the quoted price. Terms like "At actual" "at the time of delivery" will not be accepted and tender will be summarily rejected.
13. If the item is found to have any defect during the warranty Period, Transportation and other charges from Nainital to the Service Station will be borne by the Vendor supplying the item.
14. Tenders Received by Post/Speed post/Courier will only be accepted.
15. Sealed tender should reach "Director, ARIES, Manora Peak, Nainital - 263 129" by stipulated date. Tender received late by whatsoever reason will not be accepted at all.
16. If the supplier does not deliver the item with in 20 days from the date of PO, the Institute reserves the right to extend the delivery period on suppliers' request or cancel the order without any notice to the supplier and the EMD will be forfeited.
18. The Institute can Change the number of items being procured at the time of issue of PO.
19. For any technical query you may contact Dr Manish Naja Extn: 301 or manish@aries.res.in'.

Note: Please quote the tender no. and opening date on the top of the cover containing tenders.

Yours sincerely,


(Tanmoy Bhattacharyya)
Registrar
For Director





Proposed area for shelter 6.280X4 Sqm

- Note:-
- 1) The difference in level 1 & Level 2 is 0.550 meter.
 - 2) one Stair provide for level 2 to steel structure top & one stair provide for shelter roof accessing from level 1
 - 3) One stair provide for level 1 to Level 2
 - 4) The area of steel structure top between shelter & Dome will be covered
 - 5) One gate will be provide in dome 1 meter wide

Normal BTS Shelter Specifications (A)	
Description	Standard Specification
Size	As per requirement
	Option- I 4000(W) x6280(L) x 2700(H)
	Door is on length face
a. Wall panel	60mm
b. Ceiling panel	Normal Roof with slant
c. Inner Skin	> =0.8mm
d. Outer Skin	> =0.6mm reflective type coating, Silicon base
PU foam specification	
PU Foam thickness	>=60mm
PU Foam density	>=40+/-2 Kg/cubic m
K Value	0.0214 W/MK
Lock	One No., with 2 handle keys
Flashing	0.8 mm PPGI all inside & outside joints
Floor	Floor with 19mm Submarine Ply board & 0.5 mm with metal sheet insert
Permissible floor loading	2.0 T/ Sqm, with antistatic flooring
Door	Integrated door Panel with Aluminum Door Channel, 100% airtight, with heavy duty rubber gaskets and door latch for keeping the door in Open condition
a. Type	Single leaf, outside opening, Door closer –Hydraulic Type
b. Opening Size	1000 X 2000 (MIN)
c. Inner skin	> =0.8mm
d. Outer skin	> =0.6mm reflective type coating, Silicon base
e. Thickness	60mm
	Additional door at the DOME with 40 mm thick flush door; complete fitting & finishing
Beam	ISM beam-200 with base plate, templates & J Bolts 2) Foundation drawing to be submitted
Silicon Sealant	Transparent/ White Type – GE
Panel locking arrangement type	Tongue & Groove leak proof
Cutout Flashers for AC & ROXTEC	0.8mm PPGI all inside & outside joint, Roxtec cutting will be done at site
Accessories	Door Stopper, Do's / Don't Aluminum Sticker, Door Closer
Exposure	Sun light/ Rain/Snow
Secondary Roof	Secondary Roof Required for shelter
Roof load capacity	1000 Kg/ Sqm
Cable ladder	400mm MS Powder coated, after duly processed in 7 tank 'H' Type
Earthing for antistatic flooring	Copper foil, 50mm wide, 0.05mm thick/3 Layer PVC mat connected at one point with earth, with 3 buttons
Door Step Ladder	Included and to be made as per site condition.
Permissible wind speed	200Km/ hr
Working station	20 mm laminate board work station to be provided on two smaller and one wider side
Internal electrification	4 lights inside, 2 lights below platform and 10 No. power point for working stations, 4 LAN socket, 1 phone socket
Air Condition (B)	Air Condition (B)
Air conditioner	2 numbers of 2.0Ton split AC (Hot, cold and humidity control) with all accessories

The rates would be inclusive of dismantling old coneret, joint arrangements and redoing coneret, finising, painting etc complete nothing extra shall be paid for this. Structure & joining arrangement should be strong enough to sustain 200 km/hr wind load.

SPECIFICATIONS for the Platform (C)

- 1- MS Platform Details:- 6mm thick chequered plate on the entire roof top.
- 2- Steel Columns :- Channel box of ISMC 150 to be grouted/bolted on existing structure.
- 3 - Hand Railing :- 32mm dia MS pipe.
- 4 - 80mm square pipe grid platform to fix instruments on top of shelter.
5. - 1 No. ladder to be provided for excess to the top.